

#3 FEEDBACK

GEORGIAN BAY AMATEUR RADIO CLUB NEWS

Editor Bill VE3EFX

JANUARY 1974

Executive

President Jim Vamplew VE3CRV

Vice Pres. Dick Shave VE3BIS

Sec. Treas. Jack Avis VE3DTS

The club meeting scheduled for December 13 was cancelled due to weather conditions making the roads very hazardous for driving. Sunday morning December 16 the business of the club was conducted on the net. Minutes of the previous meeting were read and carried. The bank balance on December 3 was \$50.00 and petty cash totalled \$22.63 for a total of \$72.63

Jim VE3CRV intimated that the local Emergency Measures Coordinator, Mr. Hugh Rankin, is interested in using the local amateurs within the Emergency Measures Organisation and will attend one of our club meetings to tell us what they require.

It was decided that the club will have two classes of membership IE: Full and Associate at a cost of \$3 and \$1 respectively. Full members with an amateur licence only will have a vote.

There will be a discussion at the next meeting on a club constitution so if you have any ideas on what you'd like to see in our constitution be sure to bring them along to the meeting and we'll try to get a constitution written up. Once this is done I will print a copy for all members and it'll go in the next issue of "Feed Back".

The next club meeting will be held on January 16 at 7:30 P.M. in the CIAG computer building. Note: This is a Wednesday night.

Wednesday, December 26 was an important date as far as the Owen Bound area repeater is concerned. Jim 30RV had received permission the previous week to install the antennas on the tower at Woodford and a party of sturdy souls met at Owen Sound and after completion of the preliminary work went out to the repeater site and finished all the outside work on the installation.

The weather played an important part in the success of the operation and ideal conditions (for the time of year) prevailed. No rain or wind and not too cold was the order of the day. A vote of THANKS is due to the work party who accomplished so much in the time available. The following day was wet and windy as was the previous day so Murphy must have been on holiday too.

Those taking part in the operation were Jim 3RV, Cy 3CC, Jack 3DTS, Bill 3DIQ, Dick 3BIS, Terry 3CAB and Bill Cox.

On Friday December 28 another group went to the repeater site and got it operational on 34/94. The machine worked well for a time and Dick could operate through it from Southampton, but a malfunction occurred and the repeater went QRT. Those taking part in the Friday Safari were Jim 3CRV, Dick

3BIS, Van 3ARV and Ken Slack. Later, the same evening Jim 3CRV, Van 3ARV, Terry CAB and Terry's YL went out and effected repairs to a pitted relay contact.

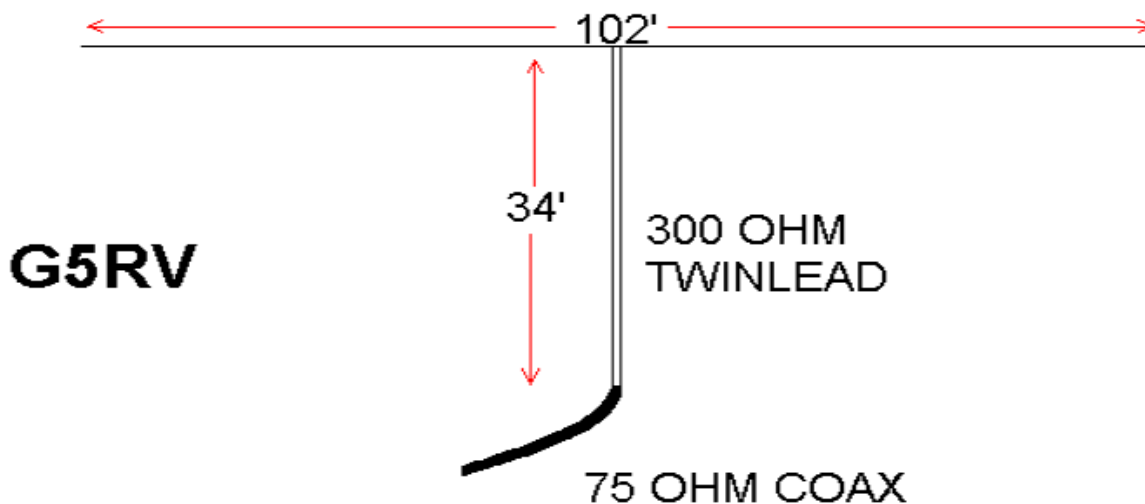
Nets currently operating on 80m on a nightly basis:

Time EST Frequency Name

7AM-6PM 3.755 Ontario Amateur Radio Service Net (ONTARS)
6:30-7:30PM 3.790 Chicken Junction Net
6:45-7PM 3.755 Laurentian Net (except Sunday)
7:00-7:30PM 3.700 Ontario Phone Net (except Sunday)
7:15-7:30PM 3.750 North West Ontario Net
7:30-3:30PM 3.775 Quebec Radio Net

These nets effectively cover the province of Ontario and all handle traffic as required. All the above are primarily phone nets, if anyone has a list of CW nets I'd appreciate receiving a copy of those most likely to be heard in Ontario.

G5RV MULTIBAND DIPOLE



Need a simple, cheap and easy to make multiband dipole? Try the G5RV as shown above. It consists of a 102 foot top, centre fed with 34 feet of 300 ohm TV feedline which in turn is fed with any length of 75 ohm coax. This antenna works well on all bands 80-10 metres and can be fitted in where a full size 80 metre dipole won't go. I used one for years as GM3HQB and although the SWR is higher on 15 and 10m it performs very well where compromise antennas are a must. The coax length makes no difference to performance but the end of the coax should be made moisture proof and the most effective method is to use epoxy cement which also strengthens the splice if the 300 ohm feeder is embedded in the cement too. The antenna can be installed as an inverted V and 50 ohm coax used to feed it if required.

VE3GOD, the Goderich repeater is now split site with the receiver in Goderich and the transmitter at Carlow. A marked improvement has been made in transmitter coverage although the receiver coverage is still the same as before. This means that stations that cannot normally use the repeater can at least monitor it now.

MEMBERSHIP

As of December 23 the G.B.A.R.C. membership stood at a grand total of 40. The membership consists of 33 licenced amateur's and 7 SWL's. On the Sunday morning net we average around 10 or 11 stations checking in. So we appear to have quite a few members who either are too tired, too busy, or too shy to call in ????

Club Membership to end of December 1973: (40)

CALL NAME

VE3AAF Roy Brougham
VE3AIU Fred Goderich
VE3ARV Al Owen Sound
VE3BDA Morice Southampton
VE3BFZ Bill Port Elgin
VE3BIS Dick Southampton
VE3BXJ Tom Toronto
VE3BSF Verne Chesley
VE3BYV Wint Paisley
VE3CC Cy Delhi
VE3CGM Stu Wiarton
VE3CRV Jim Owen Sound
VE3CZY Max Toronto
VE3DFS Bob Burlington
VE3DIQ Bill Owen Sound
VE3DQA Cy Hanover
VE3DTS Jack Wiarton
VE3DXO Dave Markdale
VE3EEN Hans Kincardine
VE3EFX Bill Tiverton
VE3EMQ Jim Woodstock
VE3ERD Bob Mount Forest
VE3FIV Mike Oshawa
VE3FOF Bill Paisley
VE3FOT Harvey Flesherton
VE3FTW Alex Dundalk
VE3GLR John London
VE3GX Piper Powassan
VE3GVD Bob Goderich
VE3HP Art London
VE3NX Bill Wingham
VE3XM Bob Hanover
VE3XM Bob Hanover
SWL Bill Flesherton
SWL Mike Owen Sound
SWL Peter Owen Sound
SWL Ted Goderich
SWL Mac Owen Bound
SWL Lavern Tiverton
SWL J Sutherland Owen Sound

The Skywide Amateur Radio Club is sponsoring an award for contacting 10 club members. When you get the 10 QSL cards send them to VE3DRT with your log information. Look for Skywide Club members on 3.770 mcs at 02:00z Sundays or eight o'clock local time. If you want your cards back I'd suggest you enclose \$1 to cover postage.

Check 3.765mcs at 01.00Z for Winnipeg stations if you are after the Centennial Award. The Manitoba fone net meets each evening and when conditions are right they come in very well. January 1 VE3EFX got six contacts in a few minutes at the end of the net and nine more on 20m later that day. Full details on the Winnipeg Centennial Award are overleaf.

Georgian Bay Amateur Radio Club Net 3.783mcs Sunday 14.30Z